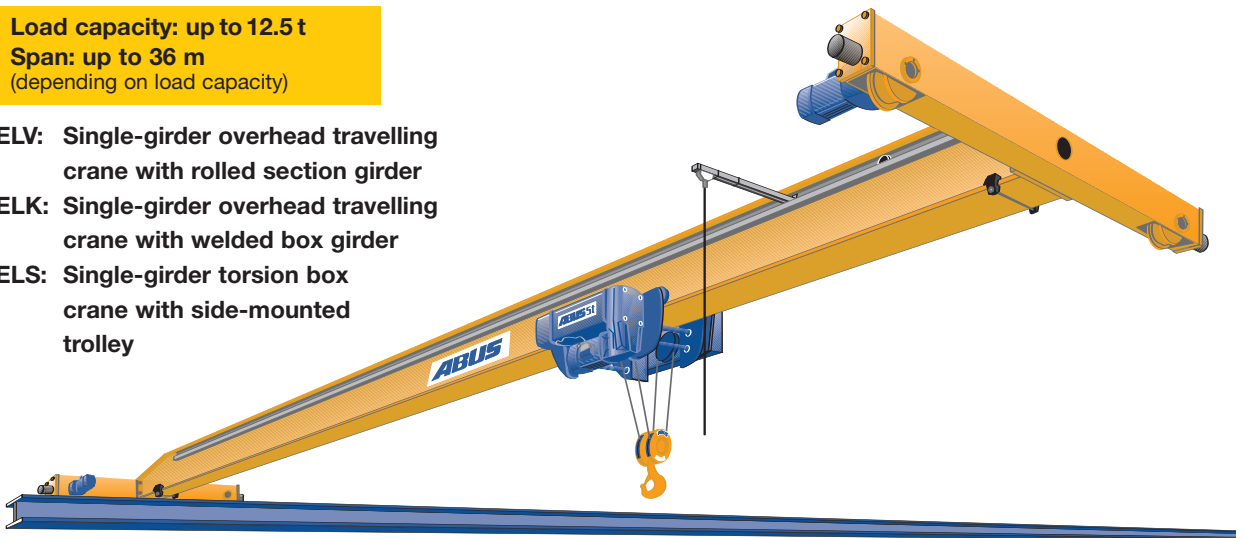


ABUS single-girder overhead travelling cranes

Load capacity: up to 12.5 t
Span: up to 36 m
(depending on load capacity)

- ELV:** Single-girder overhead travelling crane with rolled section girder
- ELK:** Single-girder overhead travelling crane with welded box girder
- ELS:** Single-girder torsion box crane with side-mounted trolley

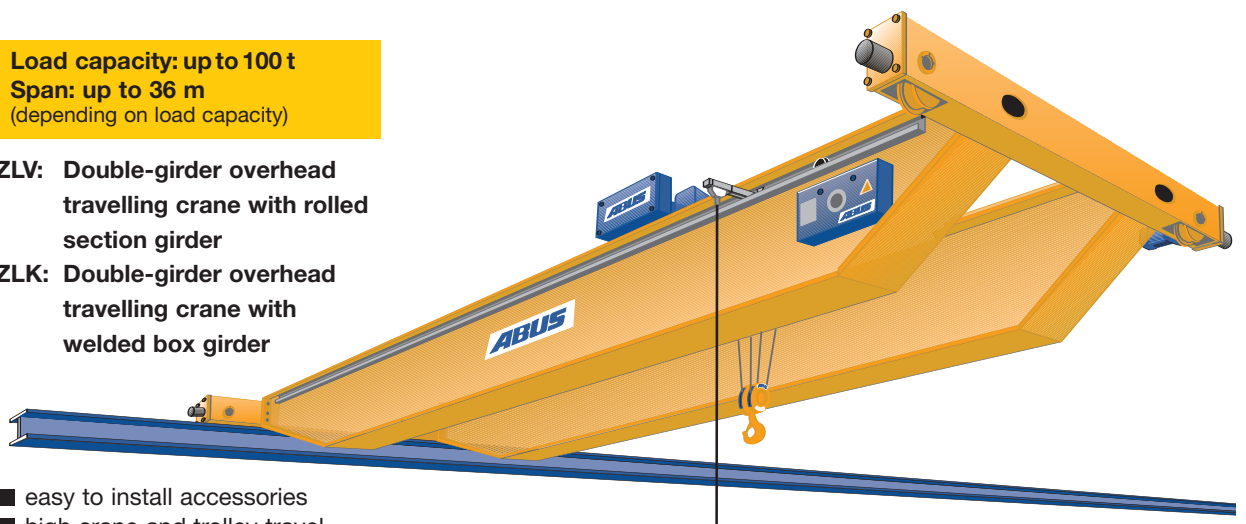


- wide range of connection variants for optimum adaptation to local conditions
- very high hook positions possible

ABUS double-girder overhead travelling cranes

Load capacity: up to 100 t
Span: up to 36 m
(depending on load capacity)

- ZLV:** Double-girder overhead travelling crane with rolled section girder
- ZLK:** Double-girder overhead travelling crane with welded box girder



- easy to install accessories
- high crane and trolley travel speeds possible
- wide range of connection variants for optimum adaptation to local conditions
- very high hook positions possible